

Packaging, Tape and Reel Information

DESCRIPTION

Optocouplers are available in plastic dual-in-line packages (DIP), SOP packages, and in a surface-mount, gull-wing, lead bend configuration. Optocouplers purchased in the DIP configuration are shipped in tubes. Optocouplers purchased in a gull-wing configuration can be shipped in tubes or on carrier tape. This section provides stick specifications, tape and reel specifications, and component information.

TUBE SPECIFICATIONS

Figure 1 shows the physical dimensions of transparent, antistatic, plastic shipping tubes. Figure 2 shows tube safety agency labeling and orientation information. The following table lists the number of parts per tube.

DEVICES PER TUBE			
TYPE	UNITS/TUBE	TUBES/BOX	UNITS/BOX
DIP-16	25	40	1000
DIP-4	100	40	4000
DIP-6	50	40	2000
DIP-8	50	40	2000
HV, CNY64	40	50	2000
HV, CNY65	30	35	1050
HV, CNY66	25	35	875

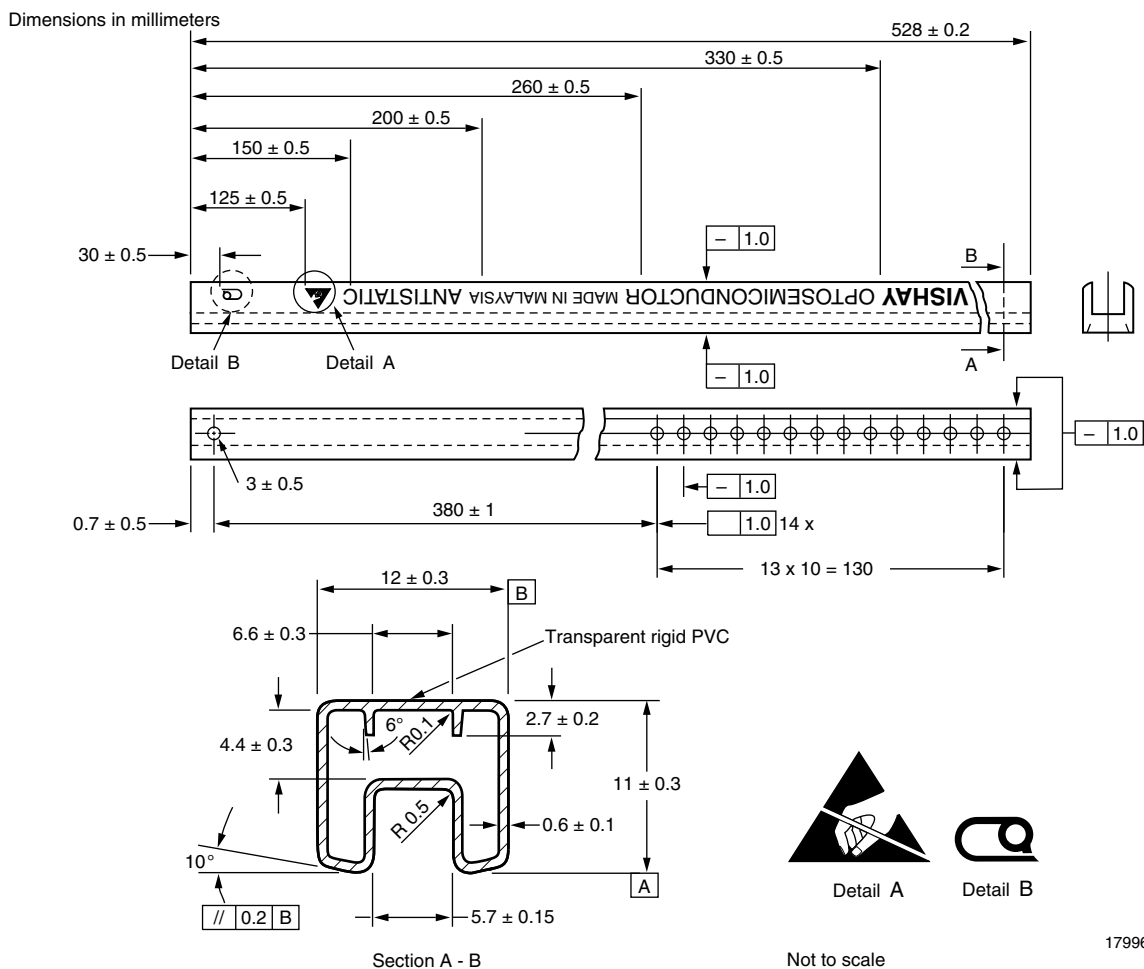


Fig. 1 - Shipping Tube Specifications for DIP Packages

Dimensions in inches (millimeters)

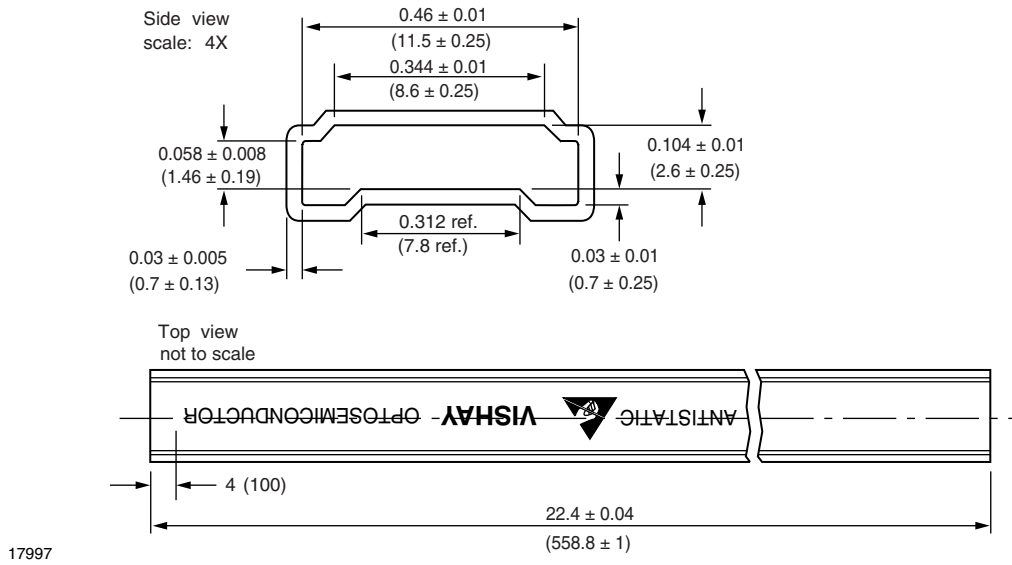


Fig. 2 - Shipping Tube Specifications for SOP Packages

TUBE SPECIFICATIONS FOR DIP AND HIGH ISOLATION VOLTAGE PACKAGES

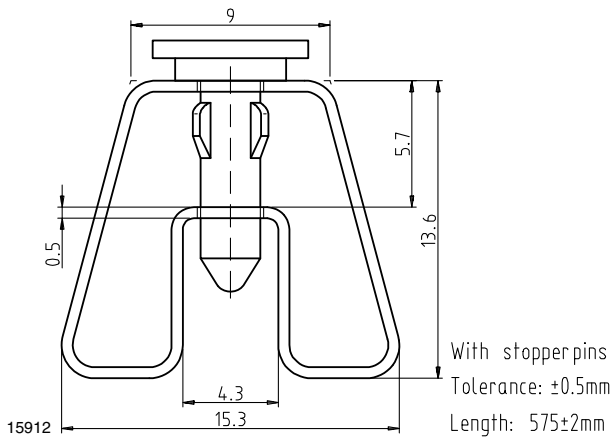


Fig. 1 - DIP-6 N, G

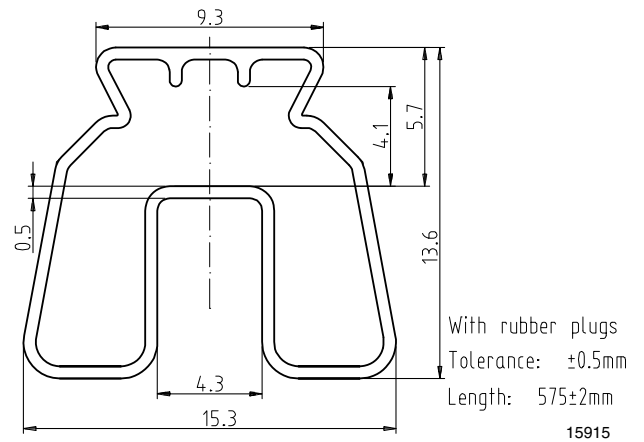


Fig. 2 - DIP-4, -2, -16 N, G

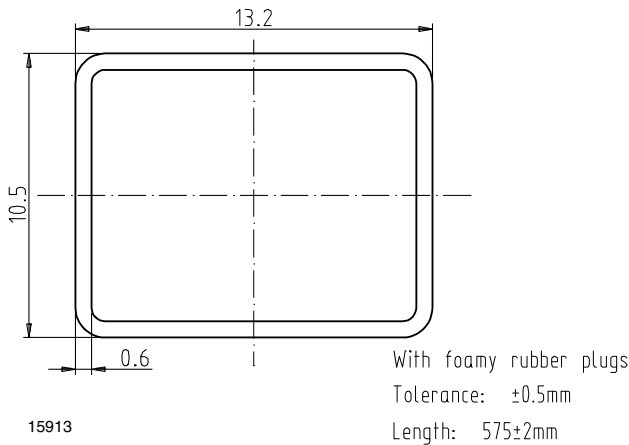


Fig. 3 - CNY64

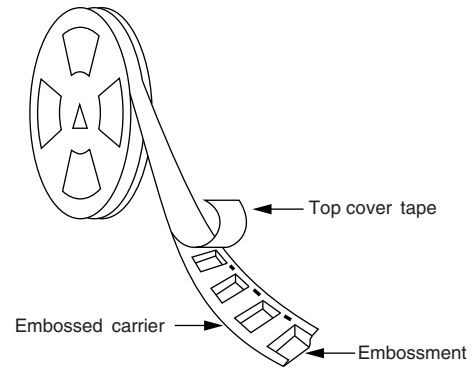


Fig. 5 - Tape and Reel Shipping Medium

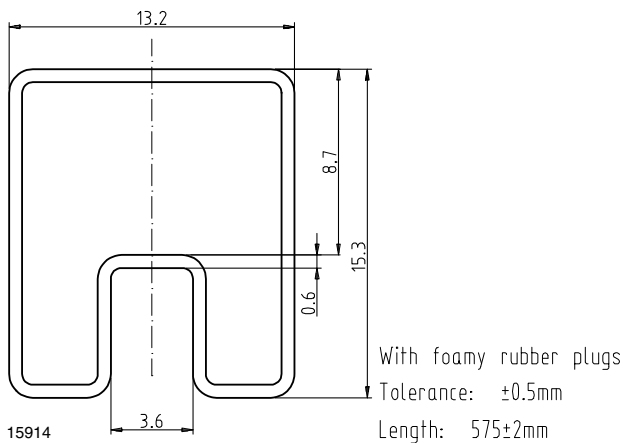


Fig. 4 - CNY65, 66

REELS

- As shown in figure 4, all reels contain standard areas for the placement of ESD stickers and labels. Each reel also has a tape slot in its core. The overall reel dimension is 13". Reels contain 1000 6 or 8 pin gull-wing parts and could have up to three inspection lots

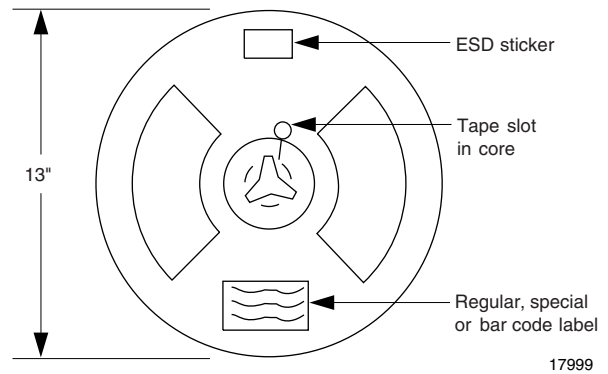


Fig. 6 - Tape and Reel Shipping Medium

TAPE AND REEL SPECIFICATIONS

Surface-mounted devices are packaged in embossed tape and wound onto 13 inch molded plastic reels for shipment, to comply with Electronics Industries Association Standard EIA-481, revision A.

Leaders and Trailers

The carrier tape and cover tape are not spliced. Both tapes are one single uninterrupted piece from end to end, as shown in figure 2. Both ends of the tape have empty pockets meeting these requirements.

- Trailer end (inside hub of reel) is 200 mm minimum
- Leader end (outside of reel) is 400 mm minimum and 560 mm maximum
- Unfilled leader and trailer pockets are sealed
- Leaders and trailers are taped to tape and hub, respectively, with masking tape
- All materials are static-dissipative

TAPE AND REEL PACKAGING FOR SINGLE CHANNEL SOIC8 OPTOCOUPLERS

Dimensions in millimeters (inches)

Selected SOIC8 optocouplers are available in tape and reel format. To order surface mount IL2XXA optocoupler on tape and reel, add a suffix "T" after the part number, i.e., IL207AT.

The tape is 12 mm wide on a 33 cm reel. There are 2000 parts per reel. Taped and reeled SOIC8-A optocouplers conform to EIA-481-2.

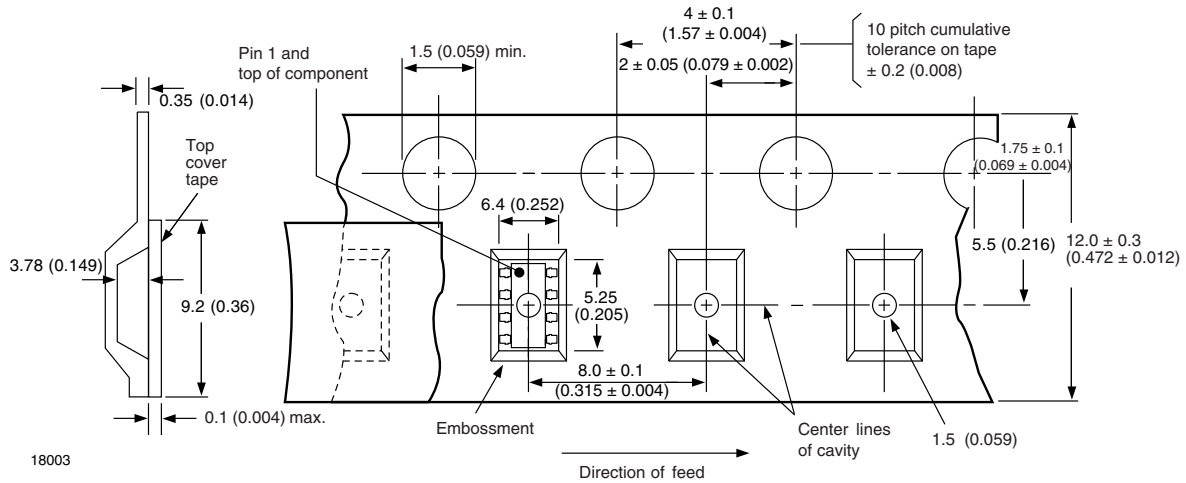


Fig. 3

TAPE AND REEL PACKAGING FOR DUAL CHANNEL (1) SOIC8 OPTOCOUPLERS

Dimensions in millimeters (inches)

Selected dual SOIC8 optocouplers are available in tape and reel format. To order surface mount ILD2XX optocoupler on tape and reel, add a suffix "T" after the part number, i.e., ILD207T.

The tape is 16 mm and is wound on a 33 cm reel. There are 2000 parts per reel. Taped and reeled dual SOIC8 optocouplers conform to EIA-481-2.

Note

(1) Select dual channel devices are available in the shorter SOIC-8 package and will be taped according to the single channel taping specification

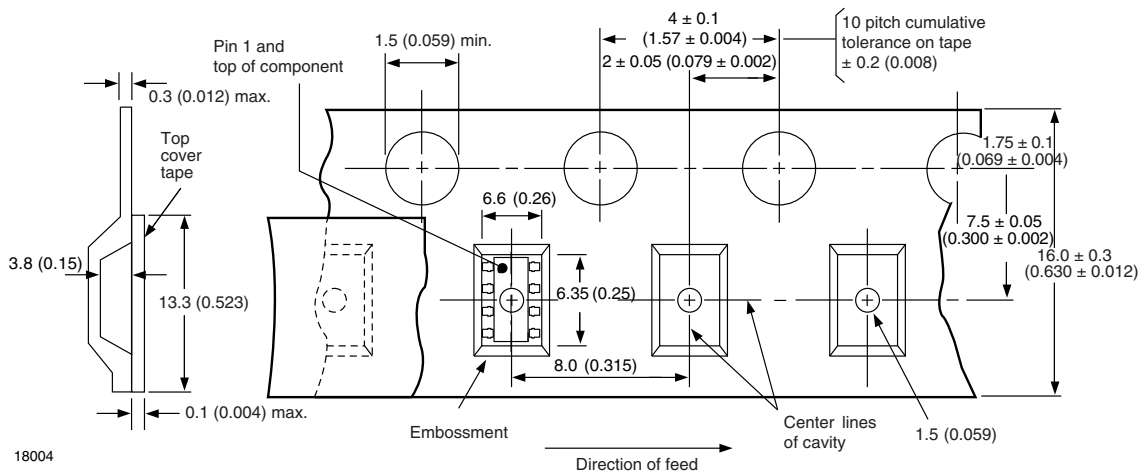


Fig. 10

TAPE AND REEL PACKAGING FOR SMD-4 OPTOCOUPLERS WITH OPTION 7

Dimensions in millimeters (inches)

Selected 4 pin optocouplers are available in tape and reel format. To order a 4 pin optocoupler with option 7 on tape and reel, add a suffix "T" after the part number, SFH615A-3X007T.

The tape is 16 mm and is wound on a 33 cm reel. There are 1000 parts per reel. Taped and reeled 4 pin optocouplers conform to EIA-481-2.

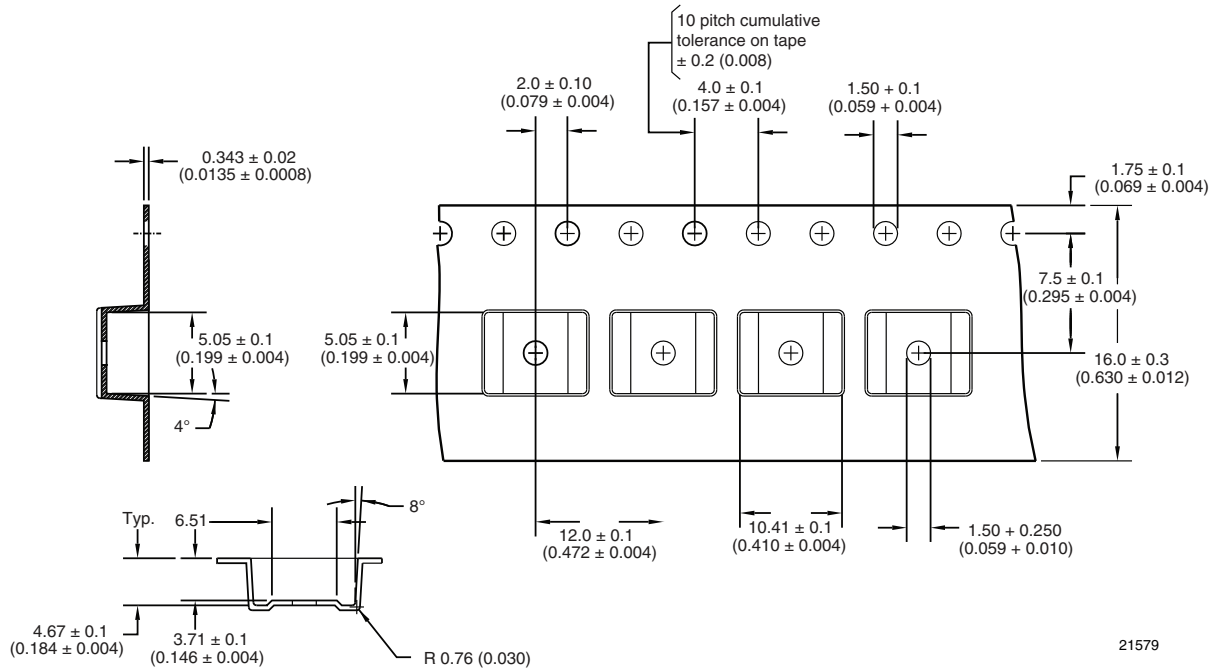


Fig. 11

TAPE AND REEL PACKAGING FOR SMD-4 OPTOCOUPLERS WITH OPTION 9

Dimensions in millimeters (inches)

Selected 4 pin optocouplers are available in tape and reel format. To order any SFH6xx6 optocoupler on tape and reel, add suffix "T" after the part number, i.e., SFH6156-3T.

The tape is 16 mm and is wound on a 33 cm reel. There are 1000 parts per reel. Taped and reeled 4 pin optocouplers conform to EIA-481-2.

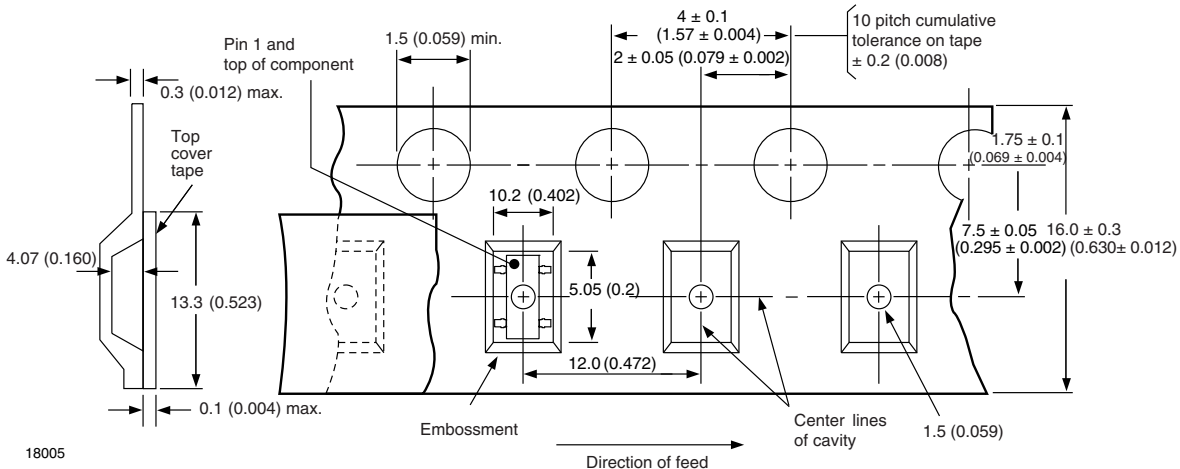


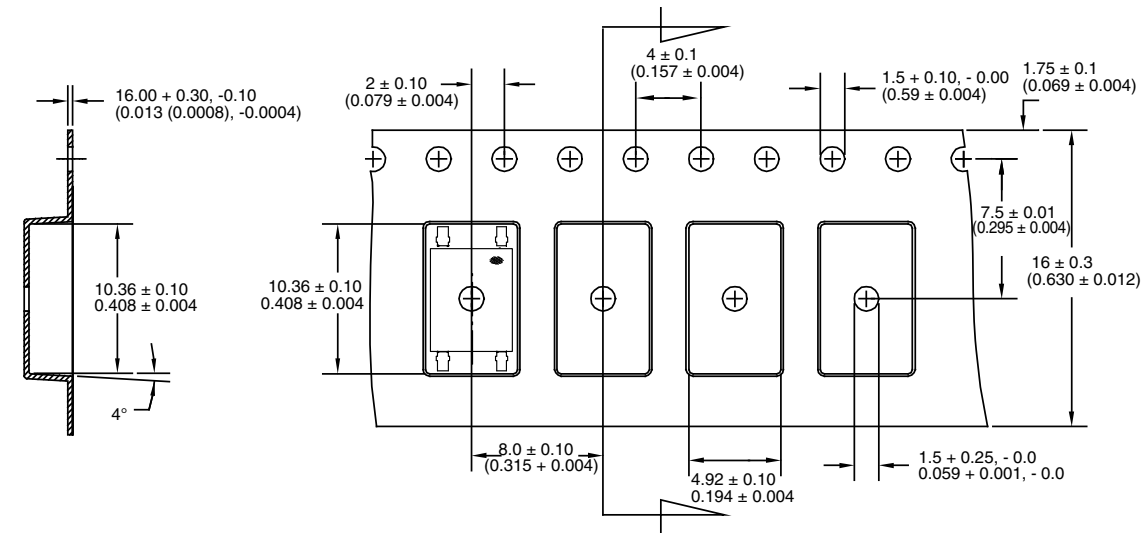
Fig. 12

TAPE AND REEL PACKAGING FOR SMD-4 OPTOCOUPLERS WITH OPTION 9, 90 ° ROTATION

Dimensions in millimeters (inches)

Selected 4 pin optocouplers are available in tape and reel format. To order any SFH6xx series optocoupler on tape and reel with this orientation, add suffix "T1" after the part number, i.e., SFH6156-5T1.

The tape is 16 mm and is wound on a 33 cm reel. There are 2000 parts per reel. Taped and reeled 4 pin optocouplers conform to EIA-481-2.



18401

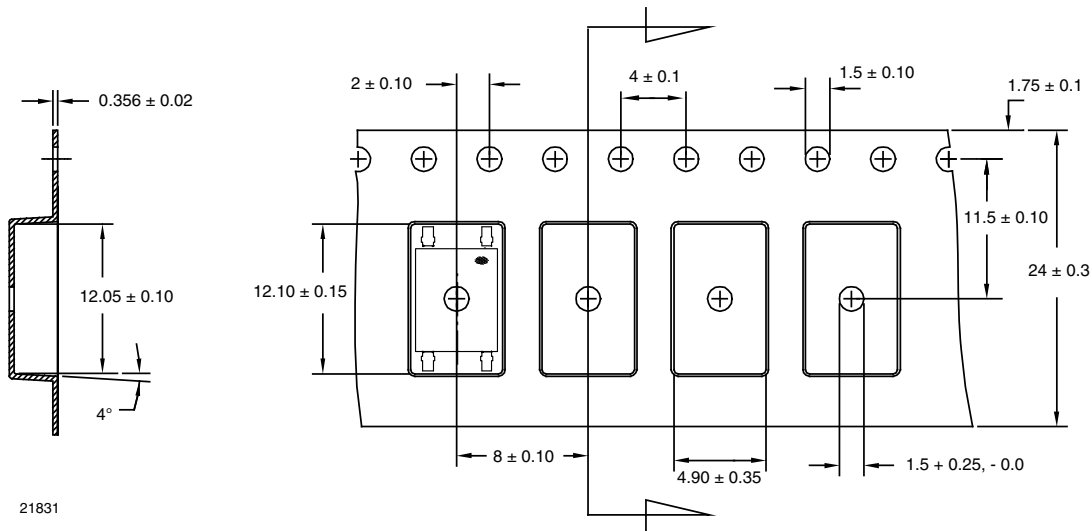
Fig. 13

TAPE AND REEL PACKAGING FOR SMD-4 OPTOCOUPLERS WITH OPTION 8

Dimensions in millimeters

Selected 4 pin optocouplers are available in tape and reel format. To order any SFH6xx series optocoupler on tape and reel, add suffix "T" after the part number, i.e., SFH615A-4X018T.

The tape is 24 mm and is wound on a 33 cm reel. There are 2000 parts per reel. Taped and reeled 4 pin optocouplers conform to EIA-481-2.



21831

Fig. 14

TAPE AND REEL PACKAGING FOR SMD-6 OPTOCOUPLEDERS WITH OPTION 7

Dimensions in millimeters (inches)

Selected 6 pin optocouplers with option 7 are available in tape and reel format. To order 6 pin optocoupler with option 7 on tape and reel, add a suffix "T" after the option, i.e., CNY17-3X007T.

The tape is 16 mm and is wound on a 33 cm reel. There are 1000 parts per reel. Taped and reeled 6 pin optocouplers conform to EIA-481-2

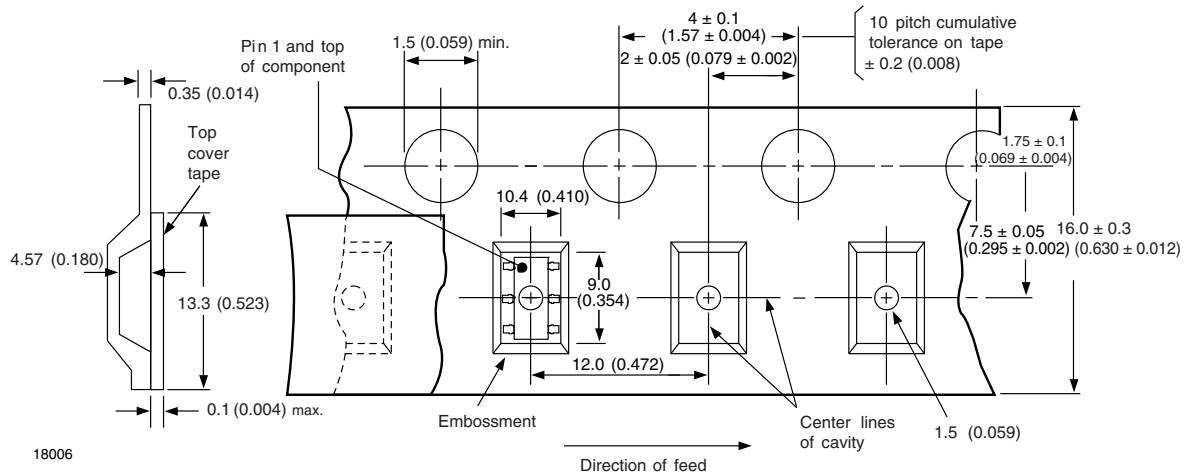


Fig. 15

TAPE AND REEL PACKAGING FOR SMD-6 OPTOCOUPLEDERS WITH OPTION 9

Dimensions in millimeters (inches)

Selected 6 pin optocouplers with option 9 are available in tape and reel format. To order 6 pin optocoupler with option 9 on tape and reel, add a suffix "T" after the option, i.e., CNY17-3X009T.

The tape is 16 mm and is wound on a 33 cm reel. There are 1000 parts per reel. Taped and reeled 6 pin optocouplers conform to EIA-481-2.

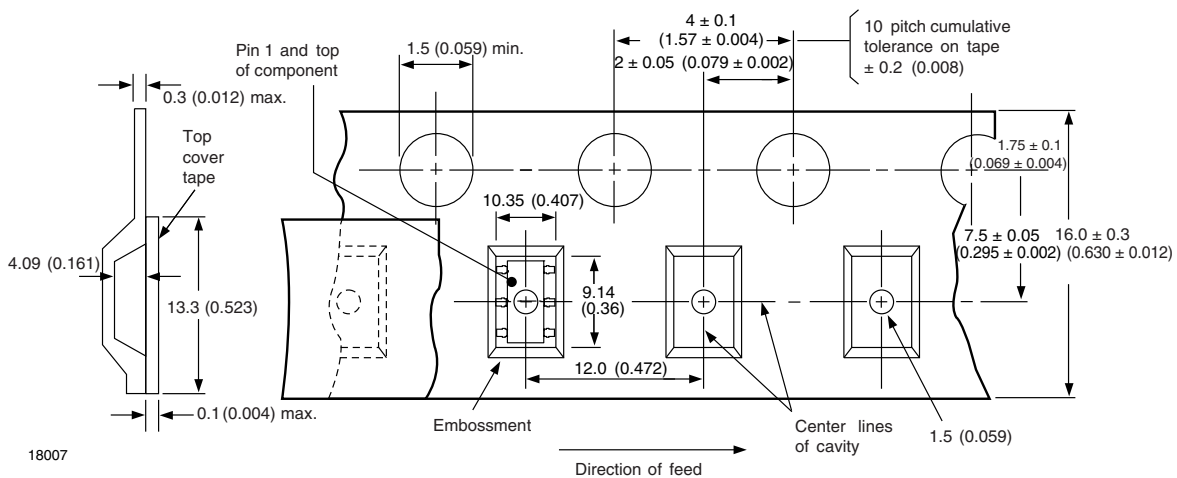


Fig. 16

TAPE AND REEL PACKAGING FOR SMD-8 OPTOCOUPLEDERS WITH OPTION 7

Dimensions in millimeters (inches)

Selected 8 pin optocouplers with option 9 are available in tape and reel format. To order 8 pin optocoupler with option 7 on tape and reel, add a suffix "T" after the option, i.e., ILCT6-X007T.

The tape is 16 mm and is wound on a 33 cm reel. There are 1000 parts per reel. Taped and reeled 8-pin optocouplers conform to EIA-481-2.

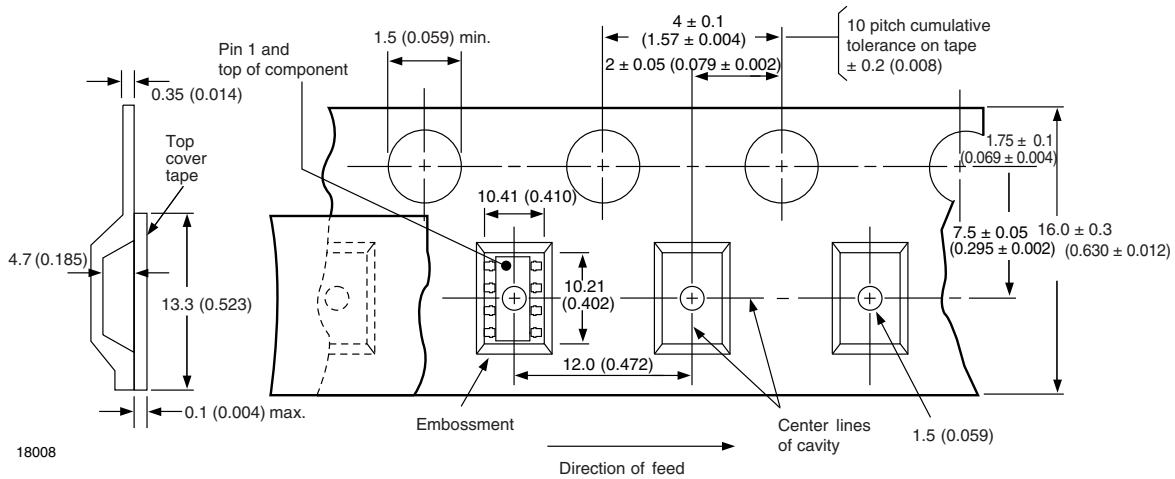


Fig. 17

TAPE AND REEL PACKAGING FOR SMD-8 OPTOCOUPLEDERS WITH OPTION 9

Dimensions in millimeters (inches)

Selected 8-pin optocouplers with option 9 are available in tape and reel format. To order 8 pin optocoupler with option 9 on tape and reel, add a suffix "T" after the option, i.e., ILCT6-X009T.

The tape is 16 mm and is wound on a 33 cm reel. There are 1000 parts per reel. Taped and reeled 8 pin optocouplers conform to EIA-481-2.

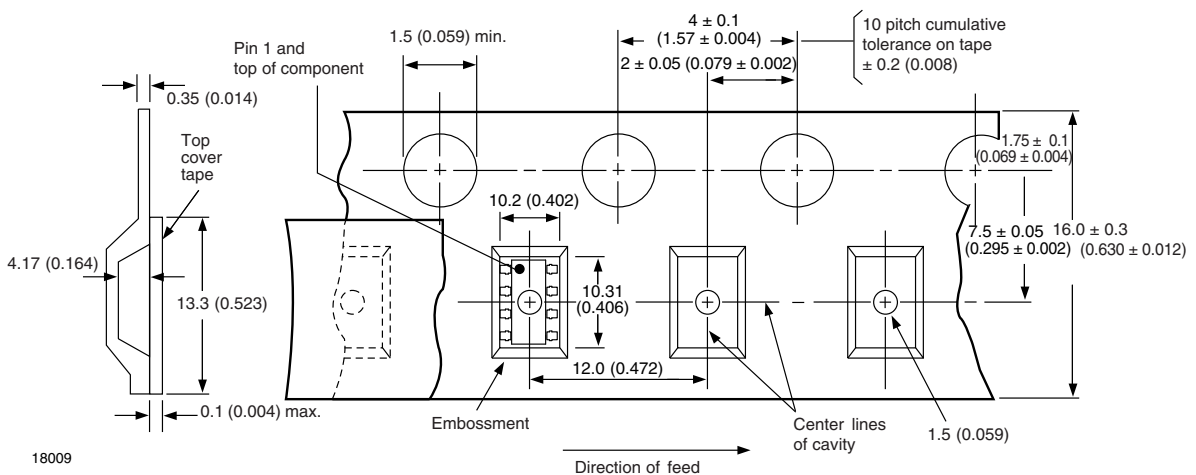


Fig. 18

TAPE AND REEL PACKAGING FOR SMD-16 OPTOCOUPLERS WITH OPTION 7

Dimensions in millimeters (inches)

Selected 16 pin optocouplers with option 7 are available in tape and reel format. To order 16 pin optocoupler with option 7 on tape and reel, add a suffix "T" after the option, i.e., ILQ-X007T.

The tape is 32 mm and is wound on a 33 cm reel. There are 750 parts per reel. Taped and reeled 16 pin optocouplers conform to EIA-481.

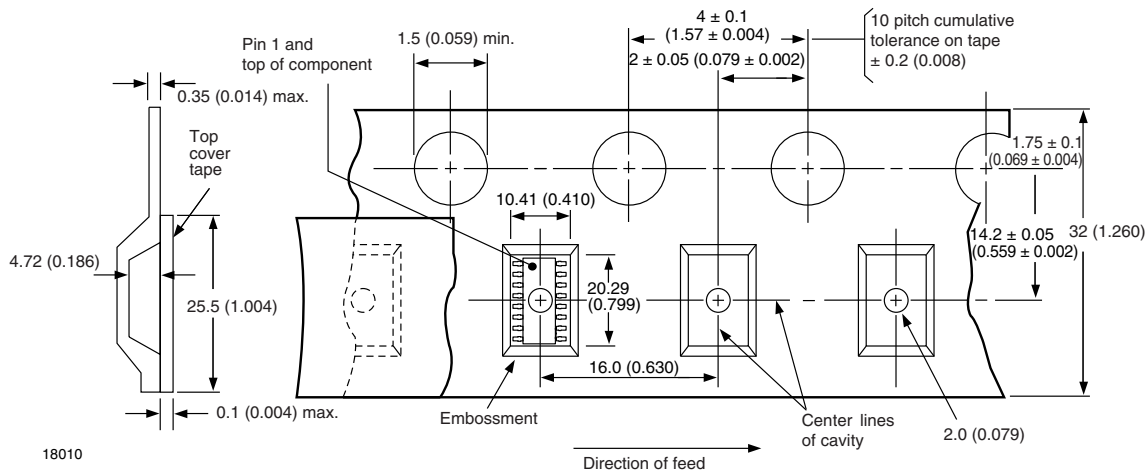


Fig. 19

TAPE AND REEL PACKAGING FOR SMD-16 OPTOCOUPLERS WITH OPTION 9

Dimensions in millimeters (inches)

Selected 16-pin optocouplers with option 9 are available in tape and reel format. To order 16 pin optocoupler with option 9 on tape and reel, add a suffix "T" after the option, i.e., ILQ1-X009T.

The tape is 32 mm and is wound on a 33 cm reel. There are 750 parts per reel. Taped and reeled 16 pin optocouplers conform to EIA-481.

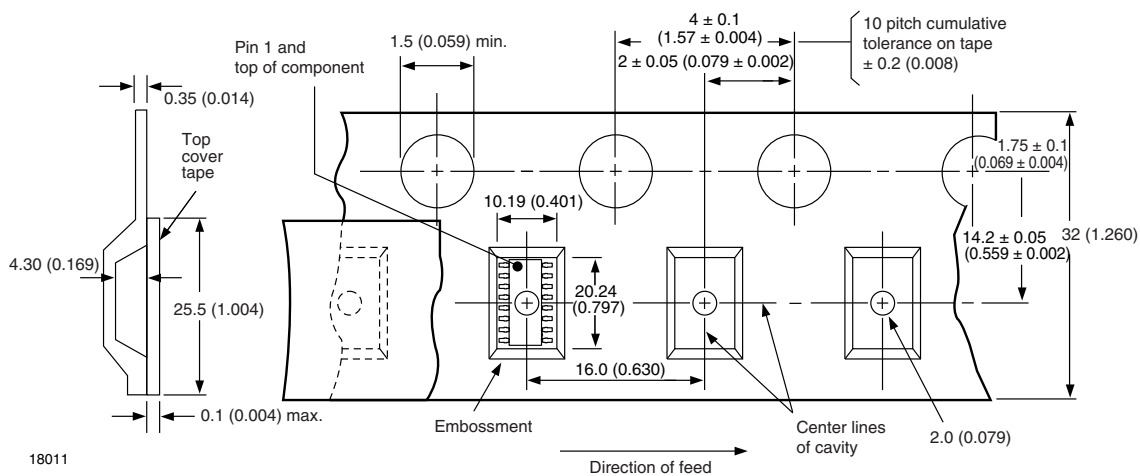


Fig. 20

TAPE AND REEL PACKAGING FOR SOP-8 OPTOCOUPLERS

Dimensions in millimeters (inches)

Selected 8 pin 2 mm optocouplers are available in tape and reel format. To order 8 pin 2 mm optocoupler on tape and reel, add a suffix "T" after the part number.

The tape is 16 mm and is wound on a 33 cm reel. There are 2000 parts per reel. Taped and reeled 8 pin 2 mm optocouplers conform to EIA-481.

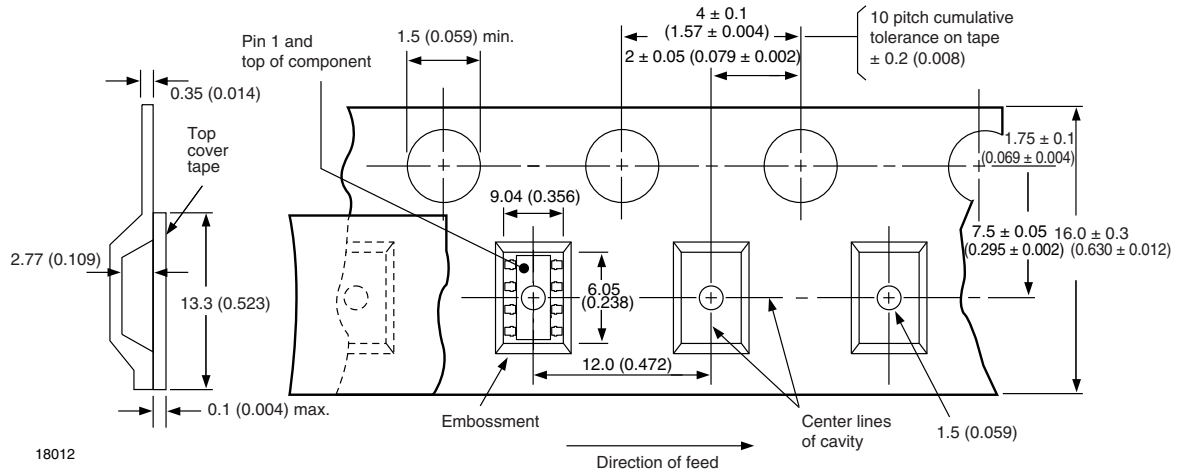


Fig. 21

TAPE AND REEL PACKAGING FOR SOT223/10 MINI-COUPLERS

Dimensions in millimeters (inches)

Selected 10 pin mini-couplers are available in tape and reel format. To order surface mount optocoupler on tape and reel, add a suffix "T" after the part number.

The tape is 16 mm and is wound on a 33 cm reel. There are 2000 parts per reel. Taped and reeled 10 pin mini-couplers conform to EIA-481.

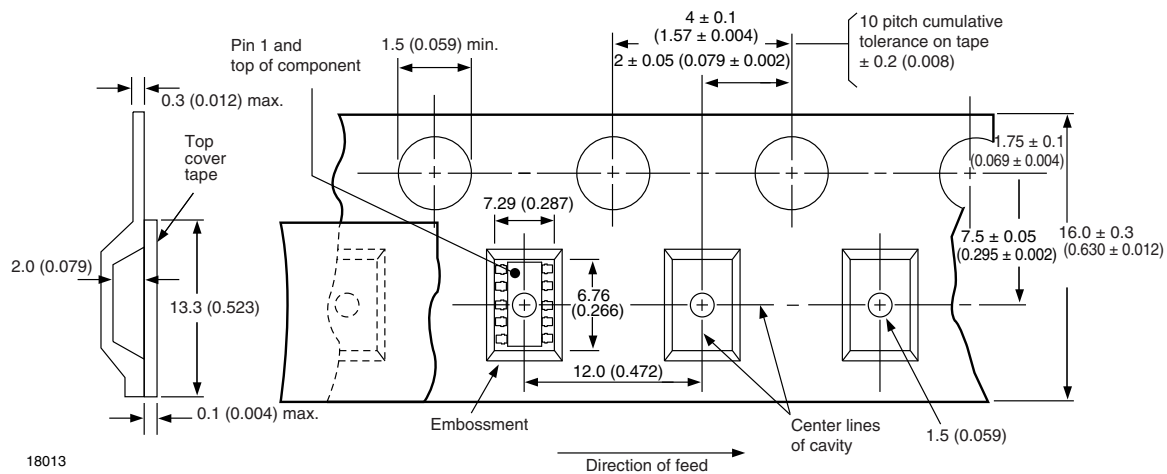


Fig. 22

TAPE AND REEL PACKAGING FOR TCMT4XXX SERIES

Dimensions in millimeters

2000 pcs/reel

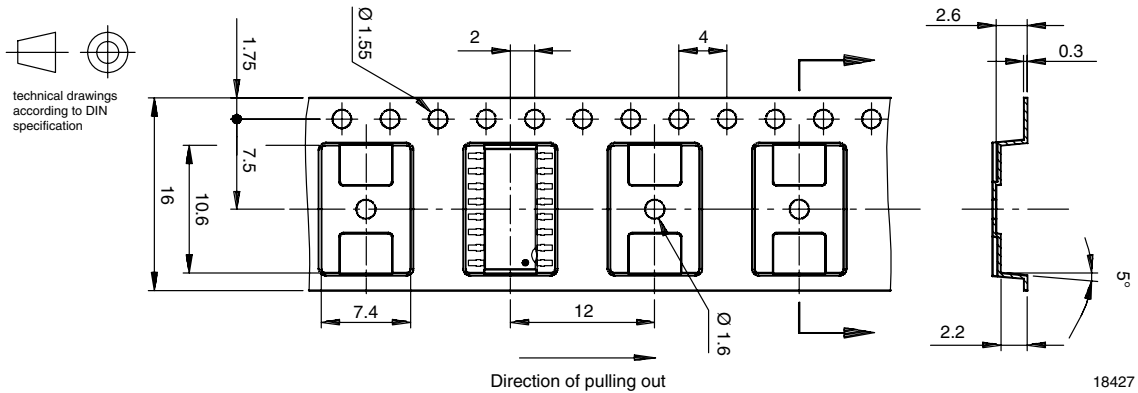


Fig. 23

TAPE AND REEL PACKAGING FOR TCMT4XXXT0 SERIES

Dimensions in millimeters

2000 pcs/reel

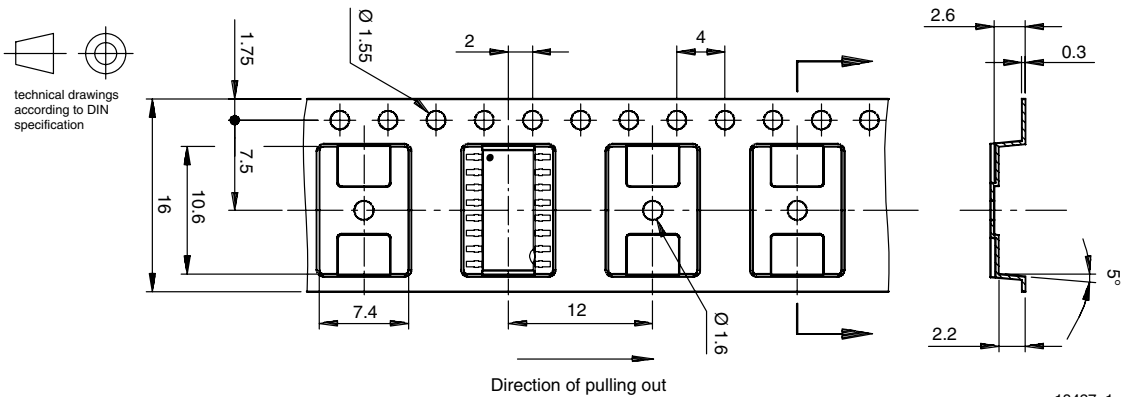
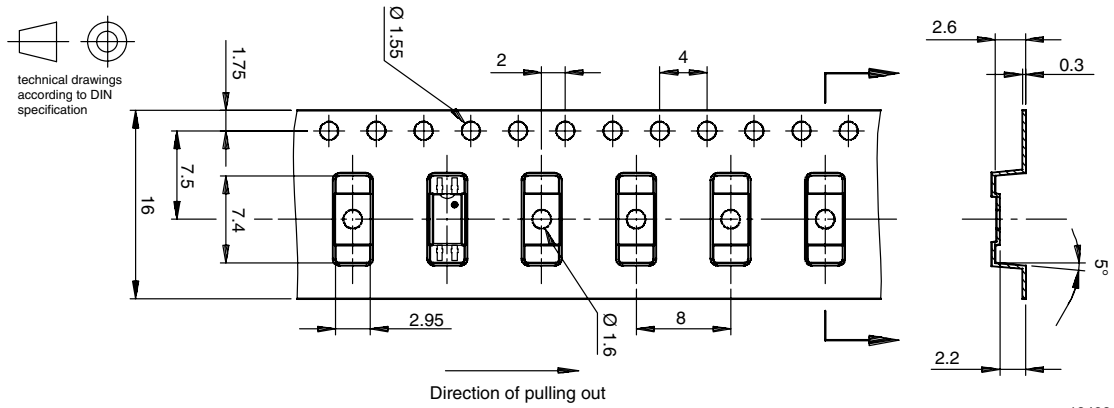


Fig. 24

TAPE AND REEL PACKAGING FOR TCMT1XXX SERIES

Dimensions in millimeters

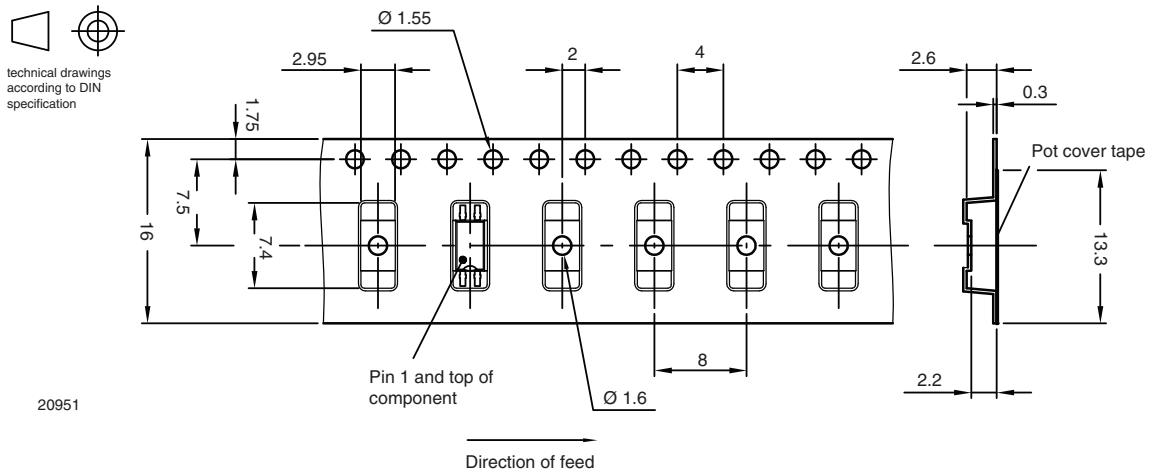


18428

Fig. 25

TAPE AND REEL PACKAGING FOR TCMT1XXXT3 SERIES

Dimensions in millimeters



20951

Pin 1 and top of component

Fig. 26

TAPE AND REEL PACKAGING FOR TCLT PRODUCTS SERIES (both SOP-4L and SOP-4L5)

Dimensions in millimeters

3000 pcs/reel

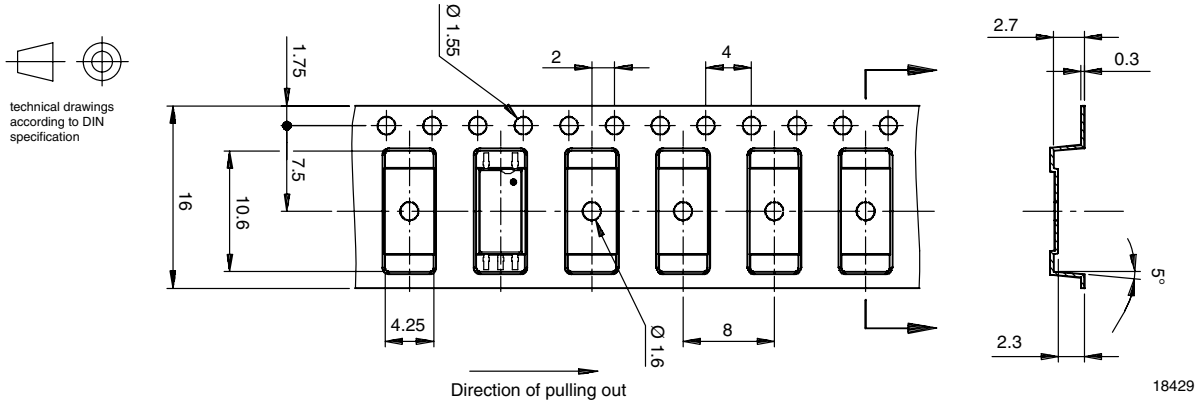


Fig. 27

TAPE AND REEL PACKAGING 4 PIN MINIPLAT FOR SFH690ABT, SFH690AT, SFH690BT, SFH690CT

Dimensions in millimeters (inches)

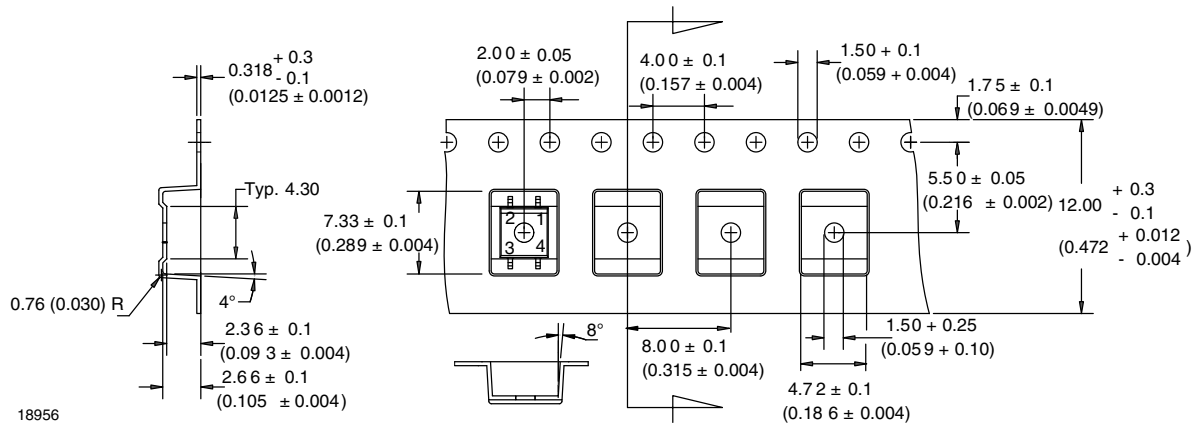


Fig. 28

TAPE AND REEL PACKAGING 4 PIN MINIFLAT, 180° ROTATION

Dimensions in millimeters (inches)

Selected 4 pin miniflats are available in tape and reel format with the part rotated by 180°. To order this version, the tape and reel suffix "T" is augmented by the numeral "3" eg.

SFH690BT3. The tape is 16 mm and is wound on a 33 cm reel. There are 2000 parts per reel.

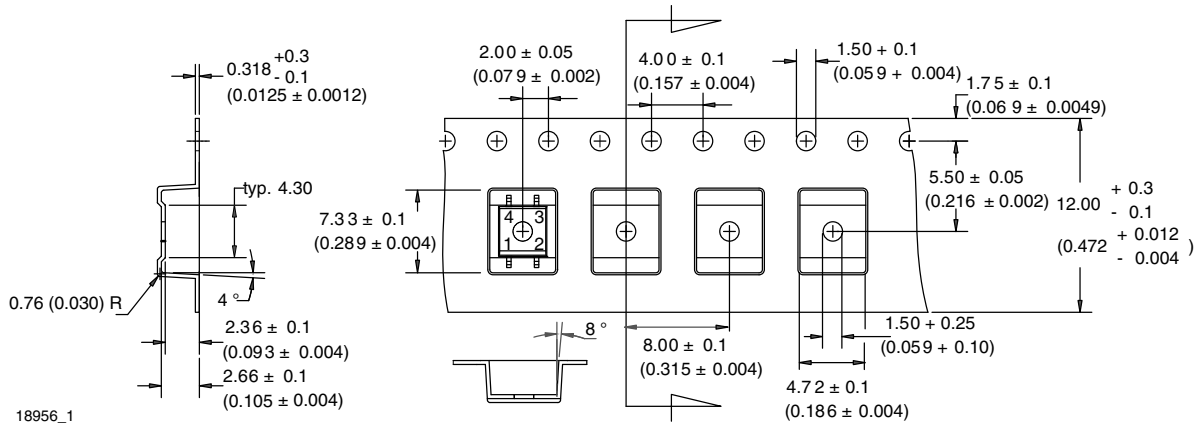


Fig. 29